

CMMWorks

AccuMetria

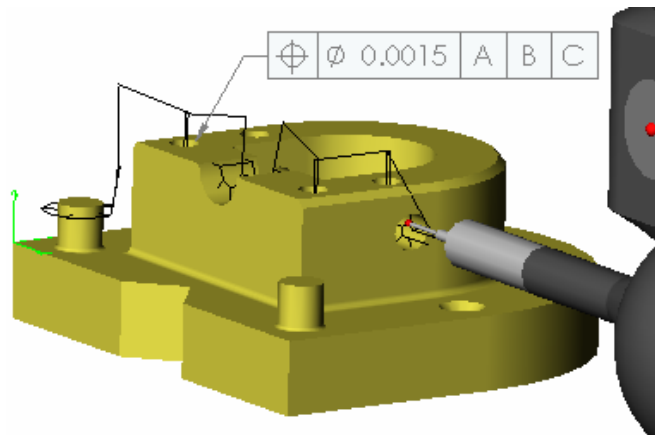
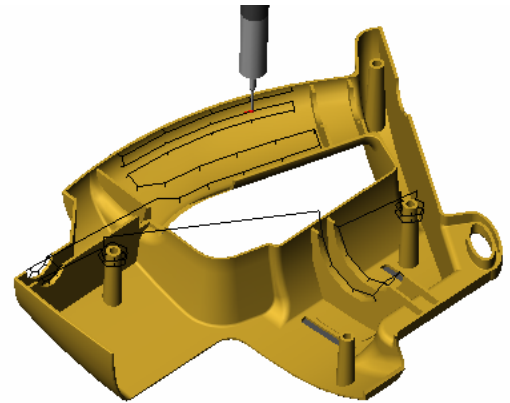


Powerful off-line Coordinate Measuring Machine programming for SolidWorks™

CMMWorks is a powerful simulation and off-line programming tool used to create, verify and optimize inspection programs for Coordinate Measuring Machines (CMMs). With CMMWorks, you can dramatically reduce the time required to program CMMs, eliminate costly collisions and increase CMM productivity.

Dramatically Reduce Programming Time

Creating CMM programs with CMMWorks is easy and based on standard metrology practices. Programming time is minimized with features like “right click” editing and re-sequencing and enhanced repeated geometry tools like mirroring/copying. Using CMMWorks, programmers can develop and verify inspection programs in a fraction of the time it takes to manually generate them.



Fully Integrated within SolidWorks

Embedded in SolidWorks, CMMWorks directly uses the SolidWorks CAD model and tolerances (part, assembly and drawing). There is no need to export geometry thus eliminating troublesome translations and duplication commonly found in other systems.

Simple to Learn and Use

CMMWorks utilizes the SolidWorks user interface making it very easy to use. Advanced editing features allow straightforward updates to the program when the SolidWorks model changes. On-line documentation and a “self-teach” tutorial are available.

Simulation and Collision Detection

Using CMMWorks can significantly reduce expensive collisions that can damage equipment and delay production. As programs are created and edited, users quickly verify them using 3D simulation and collision detection. This virtually eliminates unwanted collisions between the CMM, probe head, the part and fixturing.

Increase CMM Productivity

Programmers using CMMWorks can find and correct program errors before their programs are downloaded, thus allowing CMMs to focus on production. CMMWorks also enables programmers to create CMM programs from CAD data long before the physical part exists, streamlining the manufacturing process.

Features

- Embedded in SolidWorks
- Feature based programming
- Full 3D simulation with collision detection
- Fully supports indexable and fixed probes
- Outputs to DMIS 4.0, MM4, Tutor or GeoMeasure
- Easy-to-use “right click” editing capabilities
- Powerful tools for repeated geometry
- Full on-line documentation and “self-teach” tutorials
- Simple program updates with CAD model changes
- Leverages SolidWorks CAD Import capabilities including IGES, STEP, ACIS, ProE and others

Requirements

CMMWorks is a SolidWorks 2004 and 2005 “Add-in” application and is available on all hardware and software platforms as SolidWorks.

Find out about our FREE 30-day trial by visiting www.accumetria.com!